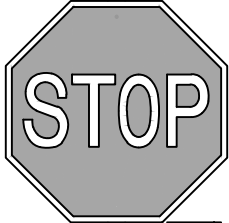


N. Street Name DR. 2000



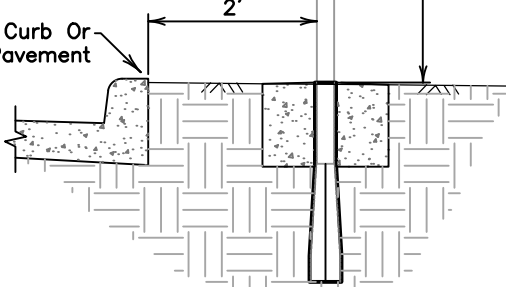
Combination Street Name Regulatory Sign  
See City Of Rosenberg Standard Detail (M-4)

2 3/8" O.D. x 10'-8" Post

7'

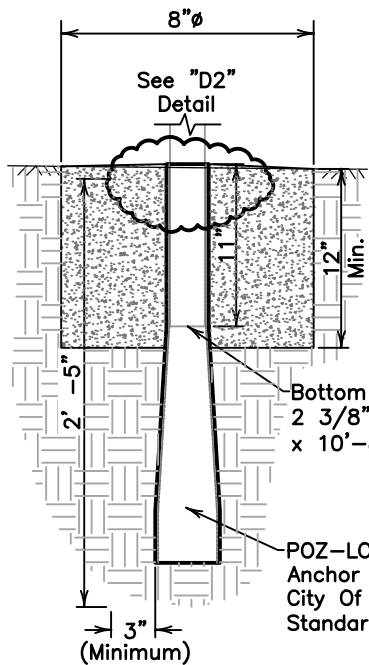
Back Of Curb Or Edge Of Pavement

2'



See "D1" Detail

**NOTE:**  
Concrete Shall Be Placed 8"φ Around POZ-LOC Sign Post Anchor System At A Minimum of 12" Thick.



See "D2" Detail

8"φ

11"

12" Min.

5"

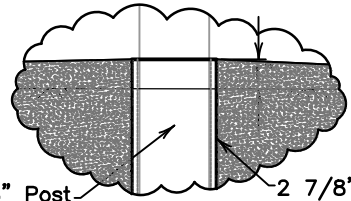
2'

Bottom 2 3/8" O.D. x 10'-8" Post

POZ-LOC Sign Post Anchor System See City Of Rosenberg Standard Detail (M-3)

3" (Minimum)

"D1" Detail



2 3/8" O.D. x 10'-8" Post

2 7/8" O.D. x 27" POZ-LOC System

"D2" Detail

THE CITY OF ROSENBERG, FORT BEND COUNTY, TEXAS  
DEPARTMENT OF PUBLIC WORKS

SIGN MOUNT DETAIL

DESIGN: CAK	CAD: STAFF	SCALE: NTS	DATE: 04/15	DRAWING: M-5
----------------	---------------	---------------	----------------	-----------------