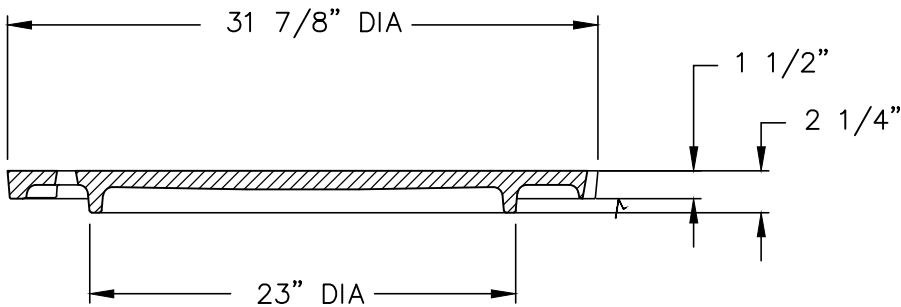


BOTTOM VIEW



COVER SECTION

NOTES:

1. ALL STORM SEWER MANHOLE COVERS SHALL BE LABELED "ROSENBERG TEXAS" AND "STORM" AND INCLUDE THE SPECIFIED LOGO.
2. 32" MANHOLE COVERS SHALL BE USED ON ALL STORM SEWER MANHOLES.
3. COVER AND 32" FRAME MANUFACTURED BY EAST JORDAN IRON WORKS OR APPROVED EQUAL.

THE CITY OF ROSENBERG, FORT BEND COUNTY, TEXAS  
DEPARTMENT OF PUBLIC WORKS

STORM SEWER 32" MANHOLE COVER

DESIGN: CFA	CAD: STAFF	SCALE: NTS	DATE: 2/18	DRAWING: D-111
----------------	---------------	---------------	---------------	-------------------