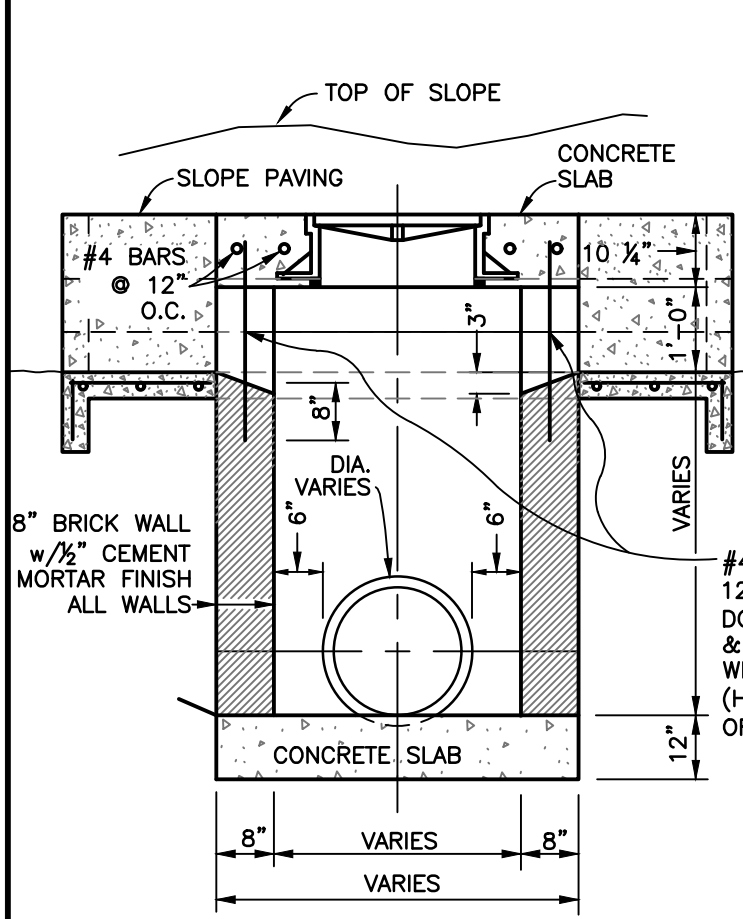
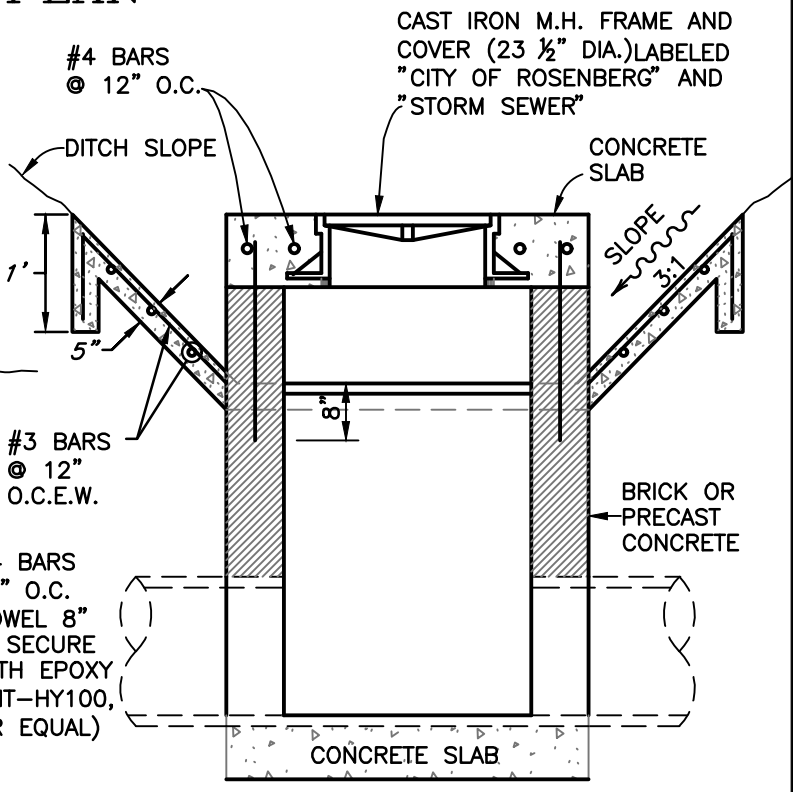


PLAN



SECTION "A-A"



SECTION "B-B"



NOTE:

1. ALL STORM SEWER INLETS MUST HAVE A NO DUMPING STORM DRAIN MARKER (SEE DETAIL D-109) PLACED ON IT WHEN INSTALLED.

THE CITY OF ROSENBERG, FORT BEND COUNTY, TEXAS  
 DEPARTMENT OF PUBLIC WORKS

STANDARD TYPE "E" INLET  
 WITH SLOPE PAVING

DESIGN: CAK	CAD: STAFF	SCALE: NTS	DATE: 09/20	DRAWING: D-105
----------------	---------------	---------------	----------------	-------------------