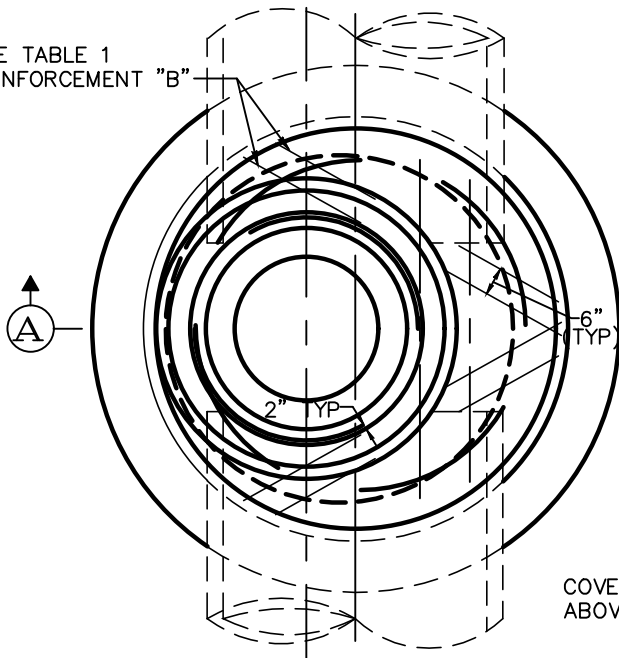
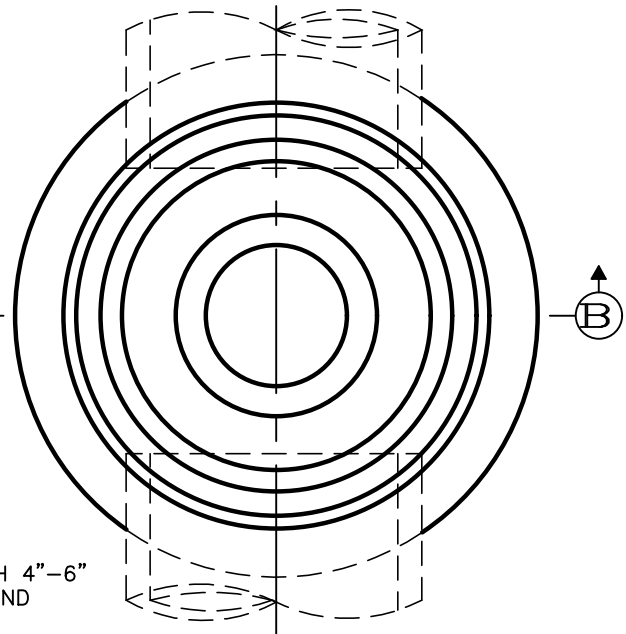


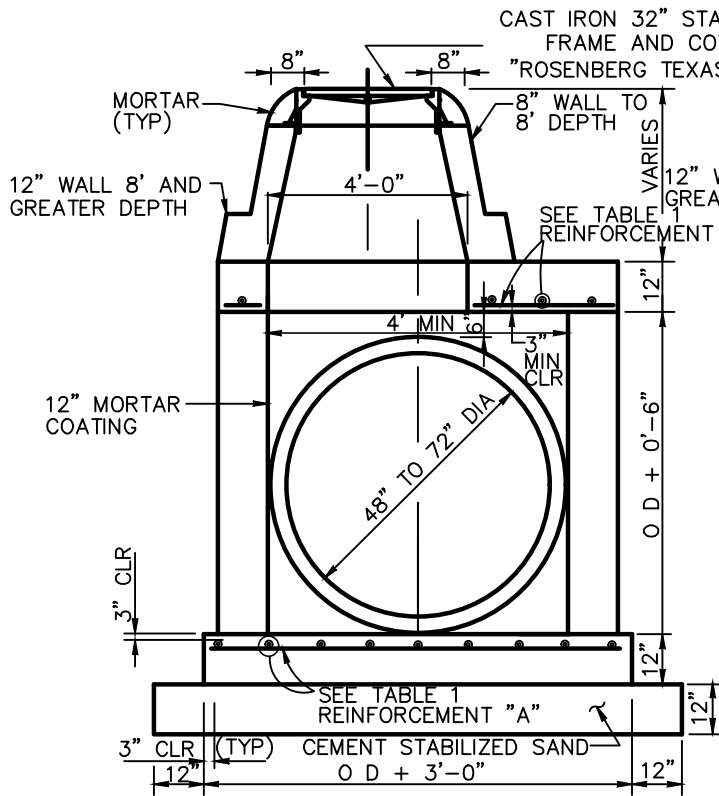
SEE TABLE 1
REINFORCEMENT "B"



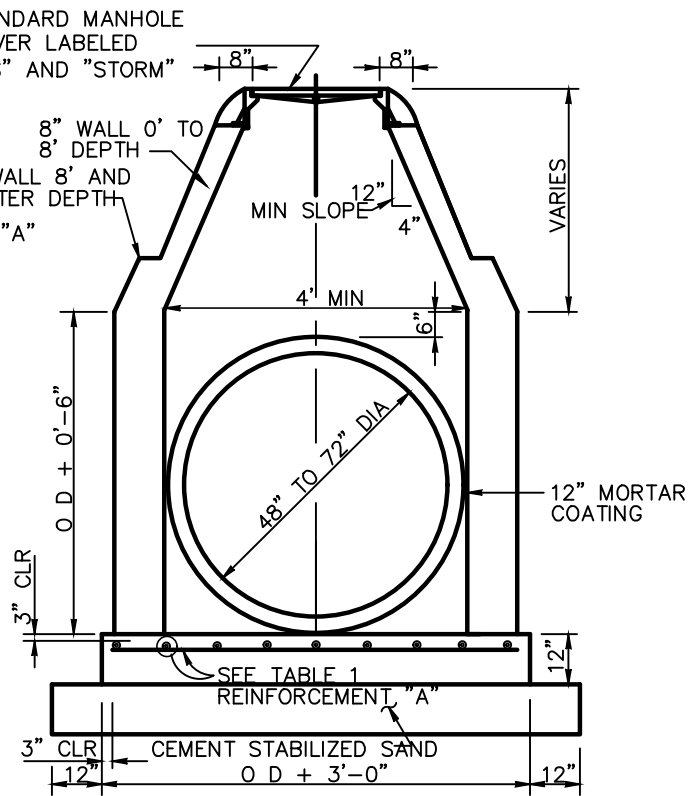
SHALLOW PLAN
COVER NOT SHOWN



STANDARD PLAN
COVER NOT SHOWN



SECTION A



SECTION B

- NOTE:
1. WHEN MANHOLE HAS LESS DEPTH THAN MIN SHOWN ON TABLE 1, BUILD "SECTION A" OTHERWISE BUILD "SECTION B".
 2. MANHOLE SHALL BE CONSTRUCTED UTILIZING AN APPROVED PRECAST PRODUCT OR BY THE CAST-IN-PLACE METHOD.

TABLE 1
DATA FOR VARIOUS PIPE DIAMETERS

PIPE DIA (INCHES)	MIN DEPTH	REINFORCEMENT ("A")	REINFORCEMENT ("B")
48"	8'-0"	# 5 @ 12 E W	2 - # 6
54"	9'-4"	# 5 @ 10 E W	2 - # 6
60"	10'-7"	# 5 @ 8 E W	2 - # 7
66"	11'-10"	# 5 @ 7 E W	2 - # 7
72"	13'-2"	# 5 @ 6 E W	2 - # 7

THE CITY OF ROSENBERG, FORT BEND COUNTY, TEXAS
DEPARTMENT OF PUBLIC WORKS

**STORM SEWER
MANHOLE TYPE "C" FOR 48"
TO 72" DIAMETER RCP**

DESIGN: CFA	CAD: STAFF	SCALE: NTS	DATE: 2/18	DRAWING: D-102
----------------	---------------	---------------	---------------	-------------------