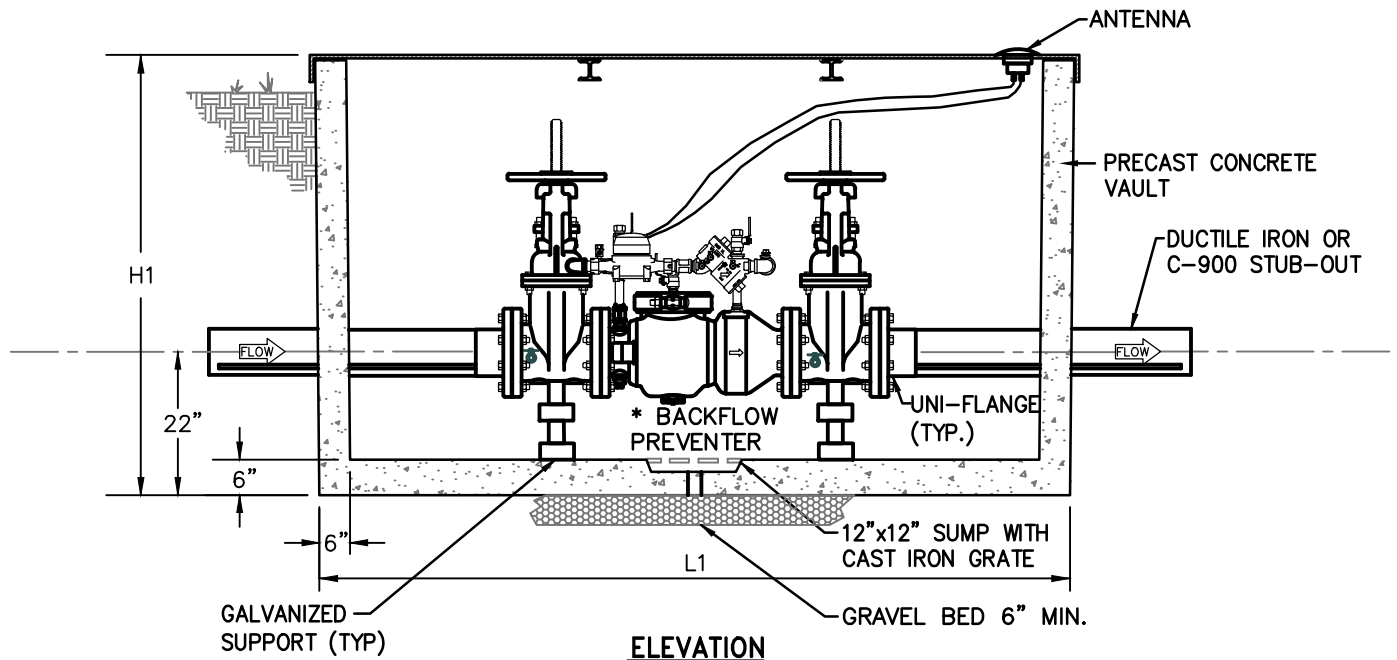


**PLAN VIEW**

1/4" THICK CHECKER PLATE FRAME AND COVER. PRIMERED AND PAINTED WITH (1) COAT OF INDUSTRIAL BLACK ENAMEL PAINT. FINISH OPTIONS:  
 BLACK INDUSTRIAL ENAMEL  
 HOT-DIPPED GALVANIZED



**ELEVATION**

\* DOUBLE CHECK DETECTOR ASSEMBLY

1. ZURN/WILKINS MODEL 350 DA
2. WATTS SERIES 757 DCDA
3. OR APPROVED EQUAL.

| SIZE | L1     | W1    | H1    |
|------|--------|-------|-------|
| 3"   | 6'-0"  | 3'-6" | 4'-0" |
| 4"   | 6'-0"  | 3'-6" | 4'-6" |
| 6"   | 7'-10" | 4'-4" | 5'-6" |
| 8"   | 8'-8"  | 5'-0" | 6'-0" |
| 10"  | 9'-2"  | 5'-8" | 6'-6" |

THE CITY OF ROSENBERG, FORT BEND COUNTY, TEXAS  
 DEPARTMENT OF PUBLIC WORKS

## DETECTOR CHECK VALVE

|                |               |               |                |                   |
|----------------|---------------|---------------|----------------|-------------------|
| DESIGN:<br>CAK | CAD:<br>STAFF | SCALE:<br>NTS | DATE:<br>05/22 | DRAWING:<br>W-109 |
|----------------|---------------|---------------|----------------|-------------------|